

# F LUM GEN 2



**LUMENIA  
OUTDOOR**

The F LUM LED floodlight is our high power outdoor luminaire. It features a robust construction with modular design along with precision aiming device for adjustment and a visor that reduces light spill. Other features include a remote driver placement for easier maintenance without the use of ladder or cherry picker truck.



	F LUM GEN 2			
System efficacy	Up to 150 lm/W			
Supply voltage	220-240 VAC			
Power	600 W	960 W	1200 W	1800 W
Luminous flux	Up to 93,00 lm	Up to 148,190 lm	Up to 183,009 lm	Up to 279,063 lm
Reflector weight	7,8 kg	16,4 kg	18,8 kg	28 kg
Power supply unit weight	4,7 kg	6,6 kg	6 kg	6 kg
Power factor	> 0.95			
Lifetime L80B10	100,000 h			
CCT	5.700K; 3000 K, 4000 K optional			
CRI	> 70; Other optional			
Ingress protection	IP 66			
Mechanical strength	IK 08			
Surge protection options	10kV/10kA, (optional 20kV/20kA)			
Operating temperature	-30 °C to + 50 °C			
Colour	Black (RAL9017)			
Housing material	Aluminium			
Remote control options	Optional DALI or DM			
Warranty	5 years			
Certificates	CE			



System efficacy



LED module



Energy saving product



Overload protection



Supply voltage



Protection class



Mechanical strength



Long life



Dimming options



Low maintenance



Ready to use



Easy mounting



CE certificate



Control options

## MAIN FEATURES

- Adjustable projecting direction
- No flickering
- Efficacy up to 150 lm/W
- Optics to suit all applications
- Detachable driver
- Possibility of separate mounting of the power supply module for easier maintenance
- The possibility of setting the slope of each module separately

## APPLICATIONS

- Large recreational sports facilities
- Airports
- Harbors
- Industrial areas
- Outdoor car parking
- Squares

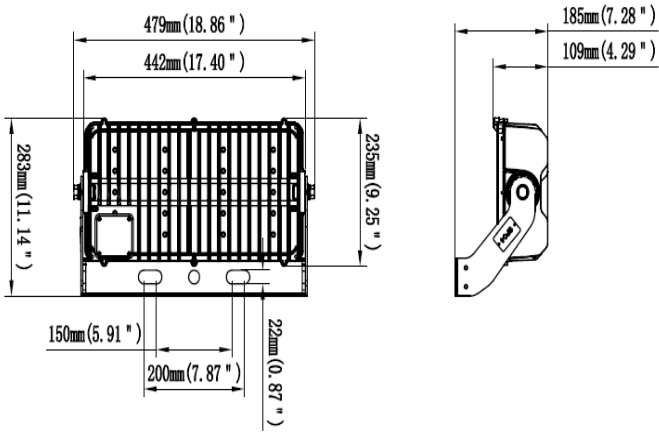
## ACCESSORIES

- Visor
- Laser

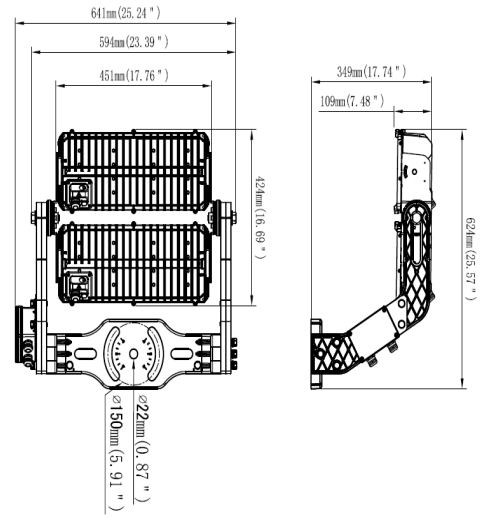


# DIMENSIONS

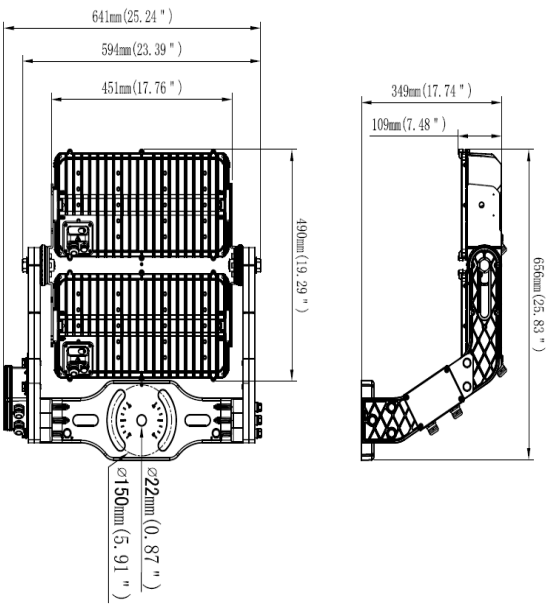
600W



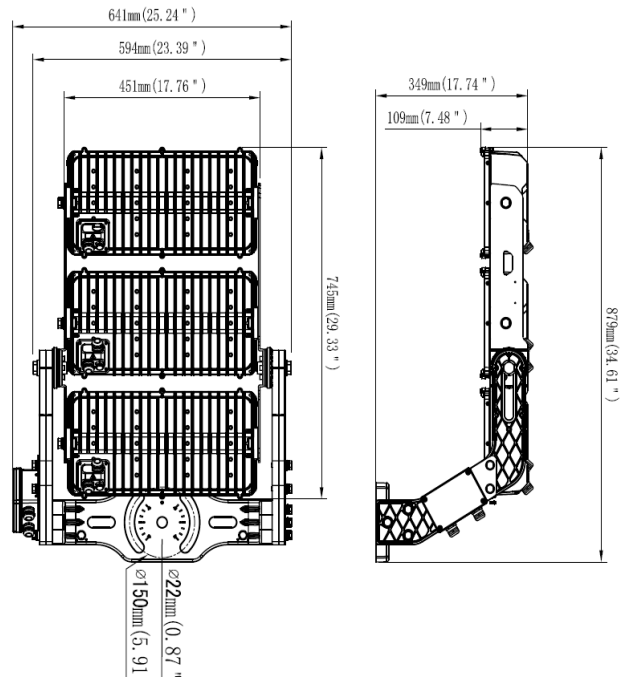
960W



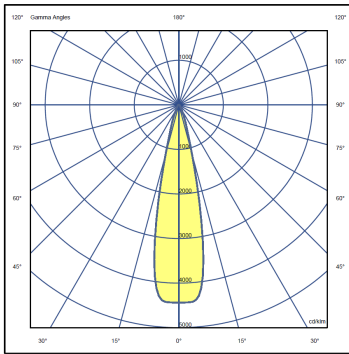
1200w



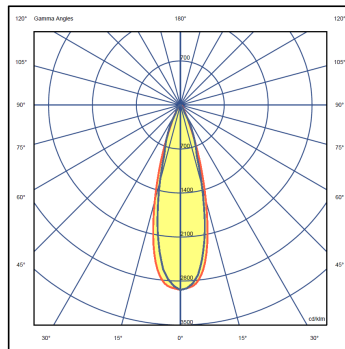
1800w



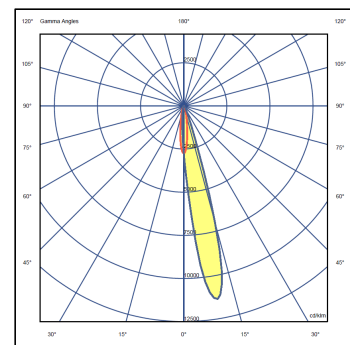
# OPTICS



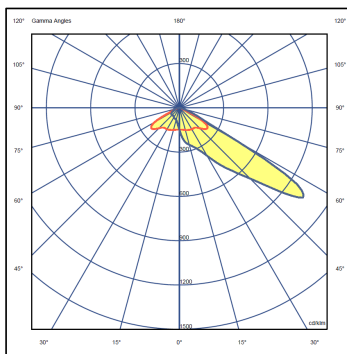
000: Distribution of luminance of 23 degree.



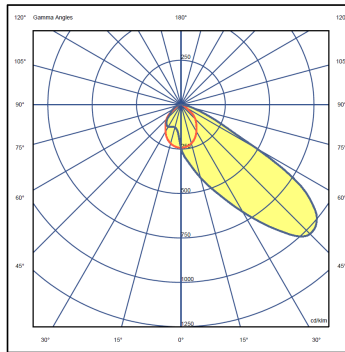
001: Distribution of luminance of 40 degree.



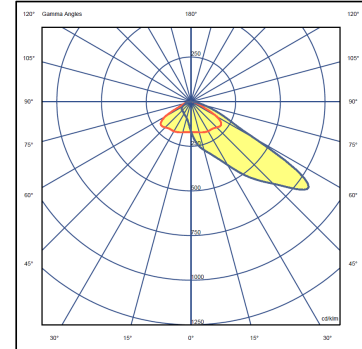
002: Asymmetric distribution of luminance of 23 degree.



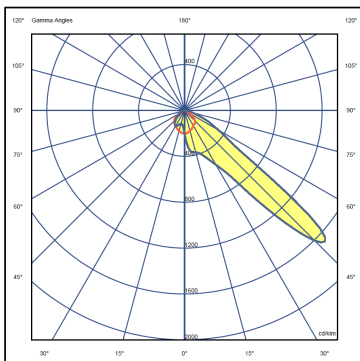
003: Asymmetric distribution of luminance of 54 degree.



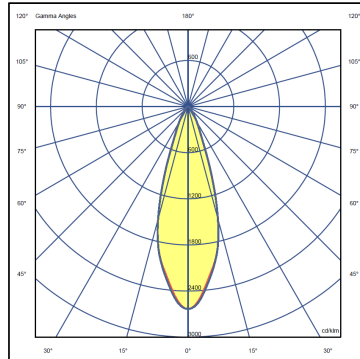
004: Asymmetric distribution of luminance of 45 degree.



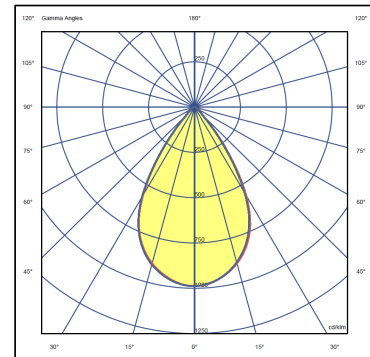
005: Asymmetric distribution of luminance of 54 degree.



006: Asymmetric distribution of luminance of 50 degree.



007: Distribution of luminance of 30 degree.



008: Distribution of luminance of 60 degree.

# PRODUCT VARIATIONS

Article	Power [W]	Luminous flux [lm]*	Optics	Efficacy [lm/W]
F LUM1; 228.600.000	600	80960 / 85222	000	135 / 142
F LUM2; 366.960.000	960	128856 / 135638	000	134 / 141
F LUM3; 456.1200.000	1200	158458 / 166798	000	132 / 139
F LUM3; 690.1800.000	1800	241428 / 254135	000	134 / 141
F LUM1; 228.600.001	600	85500 / 90000	001	142 / 150
F LUM2; 360.960.001	960	134976 / 142080	001	140 / 148
F LUM3; 456.1200.001	1200	166440 / 175200	001	138 / 146
F LUM3; 684.1800.001	1800	253080 / 266400	001	140 / 148
F LUM1; 228.600.002	600	77421 / 81496	002	129 / 135
F LUM2; 366.960.002	960	123278 / 129767	002	128 / 135
F LUM3; 456.1200.002	1200	150480 / 158400	002	125 / 132
F LUM3; 690.1800.002	1800	231101 / 243265	002	128 / 135
F LUM1; 228.600.003	600	78499 / 82631	003	130 / 137
F LUM2; 366.960.003	960	124110 / 130643	003	129 / 135
F LUM3; 456.1200.003	1200	153129 / 161189	003	127 / 134
F LUM3; 690.1800.003	1800	230990 / 243148	003	128 / 135
F LUM1; 228.600.004	600	86952 / 91529	004	144 / 152
F LUM2; 366.960.004	960	139219 / 146547	004	145 / 152
F LUM3; 456.1200.004	1200	169778 / 178714	004	141 / 149
F LUM3; 690.1800.004	1800	259293 / 272940	004	144 / 151
F LUM1; 228.600.005	600	77293 / 81361	005	128 / 135
F LUM2; 360.960.005	960	124110 / 130643	005	129 / 135
F LUM3; 456.1200.005	1200	153129 / 161189	005	127 / 134
F LUM3; 684.1800.005	1800	230990 / 243148	005	128 / 135
F LUM1; 228.600.006	600	76211 / 80223	006	127 / 134
F LUM2; 366.960.006	960	123190 / 129674	006	128 / 134
F LUM3; 456.1200.006	1200	151787 / 159776	006	126 / 134
F LUM3; 690.1800.006	1800	227265 / 239227	006	126 / 133
F LUM1; 228.600.007	600	88710 / 93379	007	147 / 155
F LUM2; 360.960.007	960	140784 / 148194	007	146 / 154
F LUM3; 456.1200.007	1200	173858 / 183009	007	144 / 152
F LUM3; 684.1800.007	1800	265109 / 279063	007	147 / 155
F LUM1; 228.600.008	600	86877 / 91450	008	144 / 152
F LUM2; 360.960.008	960	137354 / 144584	008	143 / 150
F LUM3; 456.1200.008	1200	170218 / 179177	008	141 / 149
F LUM3; 684.1800.008	1800	255311 / 268749	008	141 / 149



Laser system for easier positioning of the light beam.

\* 4000 and 5000 K

Latest available data at [www.lumenia.com](http://www.lumenia.com)

LUMENIA d.o.o., Kandrše 7, 1252 Vače, Slovenia  
 Tel: +386 3 567 07 96, e-mail: [info@lumenia.com](mailto:info@lumenia.com)  
[www.lumenia.com](http://www.lumenia.com)